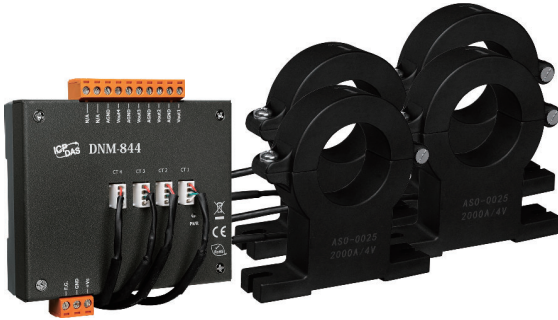


**DNM-844-(50A)(200A)(500A)**  
4 Channel Current Transformer



**DNM-844-(1000A)(2000A)**  
4 Channel Current Transformer

**Features**

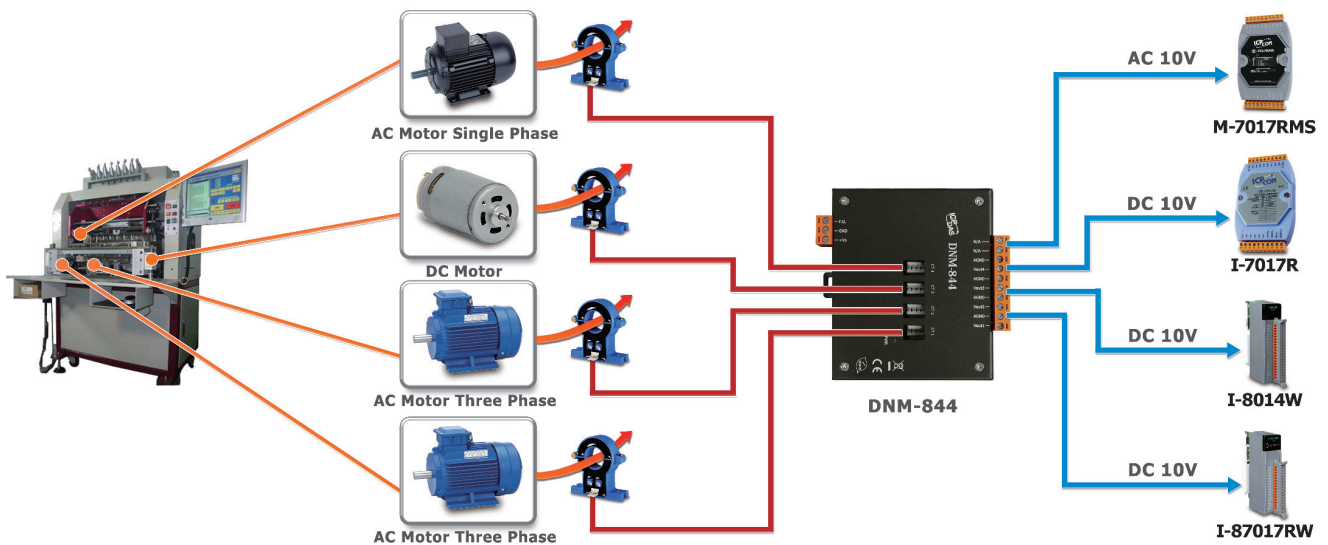
- 4-Channel High Current Input Measurement
- Linear Attenuation Ratio
- Easily wire connection



**Introduction**

The DNM-844 is 4-channel current transformer. The maximum current input range is from  $\pm 2000$  A can be attenuated to  $\pm 10$  V. It provides 3000 VDC intra-modules isolation. It can be used with the analog input modules such as I-7017, I-87017, M-7017RMS and I-87017W-RMSetc. to measure the high current.

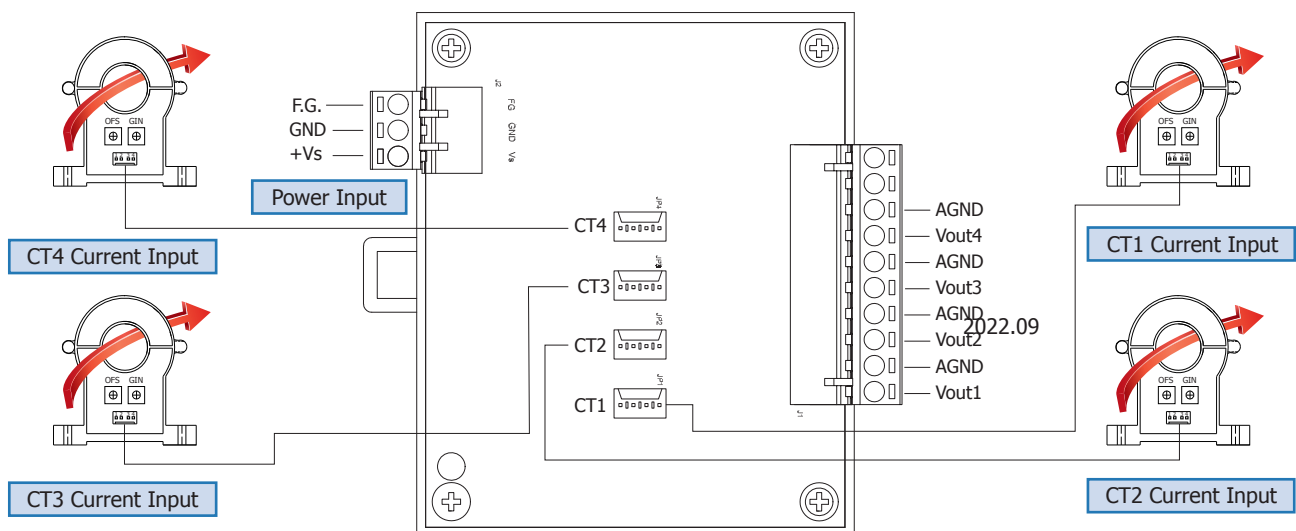
**Applications**



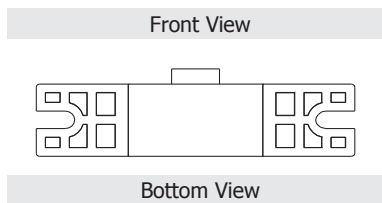
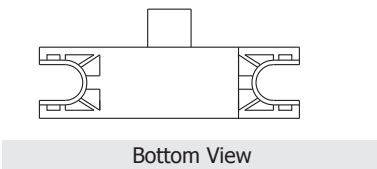
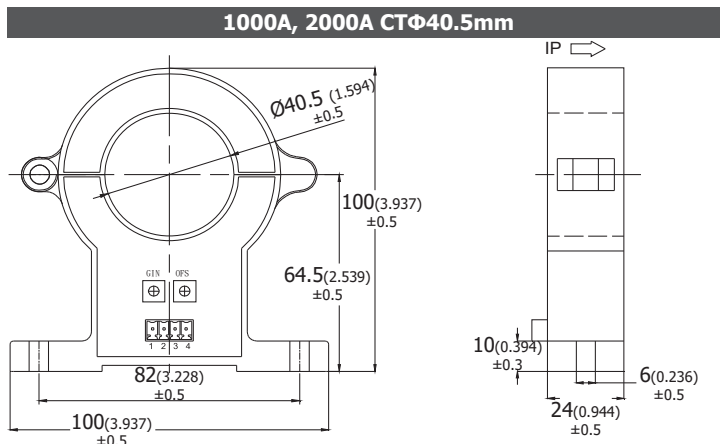
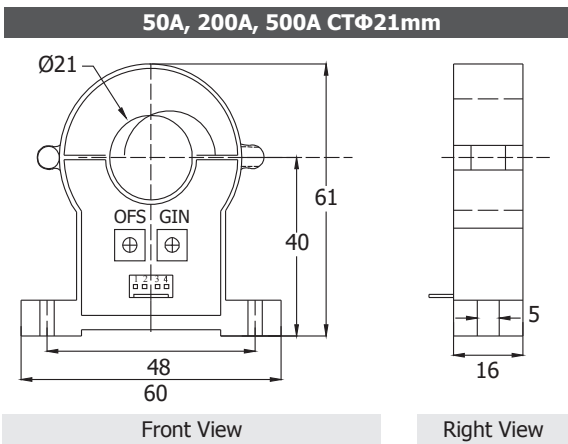
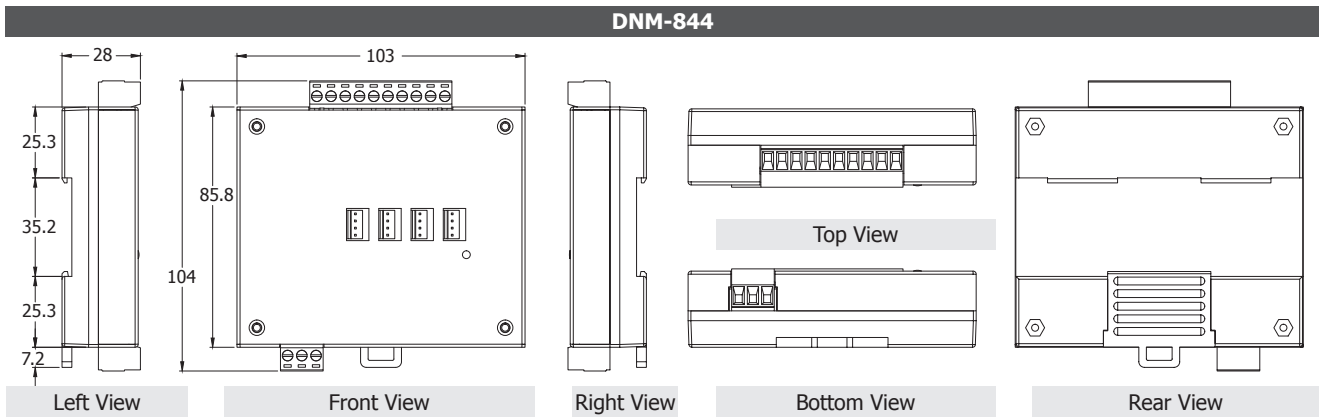
## Specifications

| Models                 | DNM-844-50A   | DNM-844-200A | DNM-844-500A | DNM-844-1000A | DNM-844-2000A |
|------------------------|---|--------------|--------------|---------------|---------------|
| <b>EMS Protection</b>  |   |              |              |               |               |
| ESD (IEC 61000-4-2)    | ±4 kV contact for power line, input and output channels, ±8 kV air for random point |              |              |               |               |
| Surge (IEC 61000-4-5)  | ±3 kV for power liner   |              |              |               |               |
| <b>CT</b>              |   |              |              |               |               |
| Type                   | Clip  |              |              |               |               |
| Inside Diameter        | Φ21 mm  |              |              |               |               |
| Leading Cable          | 1.5 m   |              |              |               |               |
| <b>Analog Input</b>    |   |              |              |               |               |
| Channels               | 4   |              |              |               |               |
| Type                   | AC/DC Current   |              |              |               |               |
| Range                  | ±50 A   | ±200 A       | ±500 A       | ±1000 A       | ±2000 A       |
| Accuracy               | ±1% of FSR  |              |              |               |               |
| Bandwidth              | 0 ~ 50 KHz  |              |              |               |               |
| Intra-module Isolation | 3000 VDC  |              |              |               |               |
| Isolation              | 2.5 KV @ 50 (60) HZ/1 min   |              |              |               |               |
| <b>Analog Output</b>   |   |              |              |               |               |
| Channels               | 4   |              |              |               |               |
| Type                   | AC/DC Voltage   |              |              |               |               |
| Range                  | ±10 VDC or 10 VAC   |              |              |               |               |
| Accuracy               | ±1% of FSR  |              |              |               |               |
| Isolation              | 2.5 KV @ 50 (60) HZ/1 min   |              |              |               |               |
| <b>Power Input</b>     |   |              |              |               |               |
| Input Range            | +10 VDC ~ +30 VDC   |              |              |               |               |
| Consumption            | 2.3 W   |              |              |               |               |
| <b>Mechanical</b>      |   |              |              |               |               |
| Casing                 | Metal   |              |              |               |               |
| Dimensions (W x L x D) | 103 x 104 x 28 (W x L x D)  |              |              |               |               |
| Installation           | DIN-Rail Mounting   |              |              |               |               |
| <b>Environment</b>     |   |              |              |               |               |
| Operating Temperature  | -25 ~ +75 °C  |              |              |               |               |
| Storage Temperature    | -30 ~ +75 °C  |              |              |               |               |
| Humidity               | 10 ~ 90% RH, Non-condensing   |              |              |               |               |

## Appearance



### ■ Dimensions (Units: mm)



**TB1 Pin Assignments**

|        |        |       |
|--------|--------|-------|
| TB1-1: | +15V   | RED   |
| TB1-2: | -15V   | BLACK |
| TB1-3: | Output | GREEN |
| TB1-4: | GND    | WHITE |

### ■ Ordering Information

|                         |  |
|-------------------------|--|
| <b>DNM-844-50A CR</b>   | 4 Channel Current Transformer (50A) (Metal) (RoHS)   |
| <b>DNM-844-200A CR</b>  | 4 Channel Current Transformer (200A) (Metal) (RoHS)  |
| <b>DNM-844-500A CR</b>  | 4 Channel Current Transformer (500A) (Metal) (RoHS)  |
| <b>DNM-844-1000A CR</b> | 4 Channel Current Transformer (1000A) (Metal) (RoHS) |
| <b>DNM-844-2000A CR</b> | 4 Channel Current Transformer (2000A) (Metal) (RoHS) |

### ■ Accessories

|                       |   |                        |  |
|-----------------------|---|------------------------|--|
| <b>CA-040415 CR</b>   | 4-pin & 4-pin Cable 1.5 M (RoHS)                          | <b>I-7017-G CR</b>     | 8-channel Analog Input Module with DCON Protocol (Gray Cover) (RoHS) |
| <b>CA-040425 CR</b>   | 4-pin & 4-pin Cable 2.5 M (RoHS)                          | <b>I-87017W-G CR</b>   | 8-channel Analog Input Module (Gray Cover) (RoHS)                    |
| <b>CA-040415-1 CR</b> | 4-pin & 4-pin Cable 1.5 M (RoHS)                          | <b>M-7017RMS CR</b>    | 8-channel True RMS Input Module (Gray Cover) (RoHS)                  |
| <b>MDR-20-24 CR</b>   | 24 V/1 A, 24 W Power Supply with DIN-Rail Mounting (RoHS) | <b>I-87017W-RMS CR</b> | 8-channel True RMS Input Module (Gray Cover) (RoHS)                  |